



# ACTIVA 125

It's *Smart*IVA

**Honda Motorcycle and Scooter India Pvt. Ltd.**  
**Registered Office:** Plot No. 1, Sector - 03, IMT Manesar, Distt. Gurugram, (Haryana) – 122050, India  
**Visit us at:** [www.honda2wheelersindia.com](http://www.honda2wheelersindia.com) **Customer Care:** [customercare@honda2wheelersindia.com](mailto:customercare@honda2wheelersindia.com)





*There's something new about Activa 125, it just got smarter.*

*This Activa 125 is a trend-setter, as it is the first scooter to come with a smart key in the segment. Designed with H-Smart Technology, the smart key is your key to ease, convenience and comfort.*

*Not just that, there's a digital meter that'll give you real time updates throughout your ride.*

*So, if you unite Honda's trusted legacy with the supreme technology that builds the Activa125, you'll know*

*it's not just a scooter,*

***It's***  
***SmartIVA***

# *Technology*

*Equipped with the latest technology,  
here's everything that goes into building your Activa 125.*





Experience the globally acclaimed eSP technology that reduces friction and improves combustion, delivering class leading performance and mileage.

### POWERFUL 125CC ENGINE

Delivers best-in-class power and pick-up.



### IDLING STOP SYSTEM

Wasteful fuel consumption is eliminated with the Idling Stop System that automatically switches the engine off at traffic lights and other brief stops.

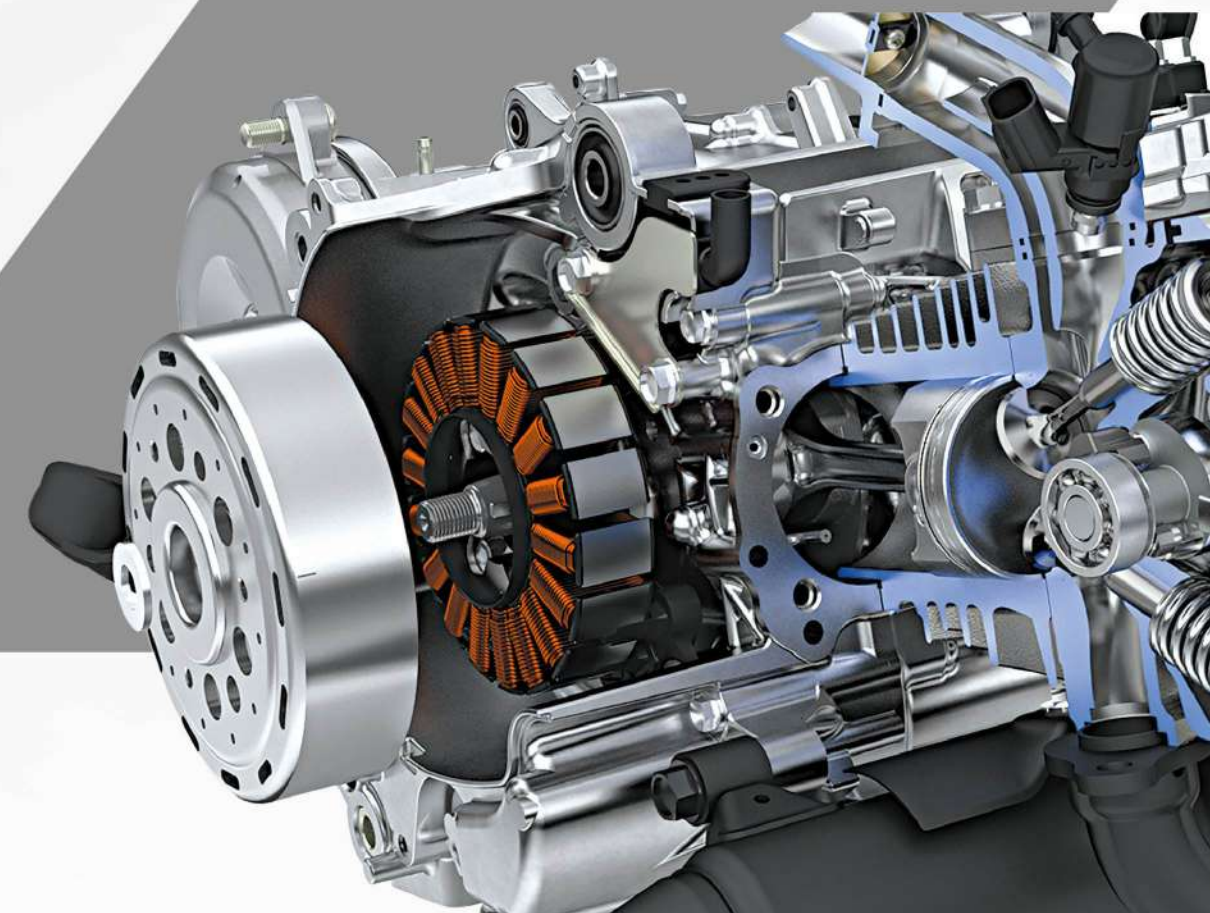


### FUEL EFFICIENT TYRES

Honda has developed a new Tyre Compound Technology that greatly reduces rolling resistance by maintaining the road grip.

### PGM-FI FUEL INJECTION

Sensor based PGM-FI system constantly adjusts the air/fuel mixture, as per the ride mode and conditions, allowing combustion. This results in consistent performance, better fuel efficiency, all weather start and lesser emissions.



### SILENT START WITH ACG

Activa 125 is equipped with ACG starter, which starts the engine silently by removing the gear meshing noise. It also reduces maintenance.

## ADVANCE MILEAGE INDICATIONS

Activa 125 is equipped with a modern digital meter that allows you to keep a track of fuel consumption, fuel efficiency and distance to empty throughout the ride.



### Real-Time Mileage

It displays live fuel efficiency throughout the ride.

### Distance To Empty

It displays the distance you can travel with remaining fuel in the tank.

### Average Mileage

It displays overall fuel consumption during the trip.

# *Smart Key*

With **H-Smart** Technology

The new Honda Smart Key is built with H-Smart technology.  
It comes with several features that will transform your experience of using  
your Activa 125 – right from the moment you unlock.





### Smart FIND



It's a hassle when one has to go looking for their ride in a parking lot or a crowded place among an array of other two-wheelers, or even in low-light conditions. With the Smart Key, this trouble is taken care of. All you have to do is, click on the **Answer Back Button** on your key, and all the four indicators of your Acura 125 will blink twice. It can be easily located even if it is as far as **10 meters!**

### Smart SAFE



We've ensured that your Acura 125 is always secure, even if it is not in sight. With the **Anti-Theft System**, you don't have to think twice about locking your ride, the Smart Key takes control over the protection of your scooter by activating the **immobilizer function** when the Smart Key goes beyond the **2 meter range** of your Acura 125.

### Smart UNLOCK



Your two-wheeler key isn't always handy, but with Honda Smart Key, you won't need the key in hand. When the Smart Key is within the **2 meter range** of Acura 125, you push and rotate the knob to perform various operations like your **seat, fuel cap and handle** can all be unlocked just like that.

### Smart START



Here's a way to start your ride that doesn't even require you to take out the key from your pocket! Once the key is within **2 meters** of your Acura 125, and activated, all you have to do is **push the knob** – the LED Smart Key indicator on the speedometer will come on – then just rotate the knob to **turn on the ignition and start the engine with Start/Stop switch**.



# *Style & Convenience*

Let your arrival make a statement full of style along with convenience that stays throughout the ride.



**LED HEADLAMP AND  
SIGNATURE LED  
POSITION LAMP**

*The glamorous LED headlamp with  
stylish LED position lamp adds to  
the style quotient of Activa 125.*



**COMMANDING TAIL LAMP**

*The bold, X-shaped broad design of the tail lamp  
commands attention and admiration equally.*



**PREMIUM CHROME  
STROKE ON SIDE PANEL**

*Activa 125 logo is carved on the side panel with  
chrome highlights, projecting the premium  
essence of your scooter.*



**MULTI - FUNCTION  
SWITCH UNIT\***

*One compact console ensures safety of  
the vehicle and convenience of opening  
the underseat storage and external fuel lid.*



**DOUBLE LID EXTERNAL  
FUEL FILL**

*Fuel filling right at your fingertips.  
Now get fuel filled while sitting on your scooter.*



**OPEN GLOVE BOX**

*Spacious open glove box adds additional  
storage space.*

# *Reliability & Comfort*

*Activa 125 is efficiently backed by Honda's trusted legacy.  
Take a ride with features that make your ride reliable and super comfortable.*





**FULL METAL BODY**

Full metal body complements the solid trust of the Activa 125.



**SIDE STAND  
ENGINE CUTOFF\***

Side stand engine cut off prohibits the engine from starting, when the side stand is open.



**TELESCOPIC FRONT  
SUSPENSION AND  
FRONT DISC BRAKE†**

Telescopic front suspension makes every ride comfortable and disc brake provides control & confidence in all speeds.

# Technical Specifications

## BODY DIMENSIONS

Length	1850 mm
Width	707 mm
Height	1170 mm
Wheel Base	1260 mm
Ground Clearance	162 mm
Seat Length	712 mm
Kerb Weight	1. Drum: 110 kg 2. Drum Alloy, Disc, Smart: 109 kg
Fuel Tank Capacity	5.3 L

## ENGINE

Type	4 Stroke, SI Engine
Displacement	124 cc
Max Net Power	6.11 kW @ 6250 rpm
Max Net Torque	10.4 N-m @ 5000 rpm
Bore	50.000 mm
Stroke	63.113 mm
Fuel System	PGM-Fi
Compression Ratio	10.0:1
Air Filter Type	Viscous Paper Filter
Starting Method	1. Drum, Drum Alloy, Disc: Kick/self 2. Smart: Self

## TRANSMISSION

Clutch Type	Automatic
-------------	-----------

## TYRES & BRAKES

Tyre Size (Front)	90/90-12 54J
Tyre Size (Rear)	90/100-10 53J
Tyre Type (Front & Rear)	Tubeless
Brake Type & Size (Front)	Disc-190 mm
Brake Type & Size (Rear)	Drum-130 mm

## FRAME & SUSPENSION

Frame Type	Under Bone
Front	Telescopic
Rear	3-Step Adjustable Spring Loaded Hydraulic

## ELECTRICALS

Battery	1. Drum, Drum Alloy: 12V 4Ah (MF) 2. Disc, Smart: 12V 5Ah (MF)
Headlamp	LED

# Colours



HEAVY GRAY METALLIC



MIDNIGHT BLUE METALLIC



PEARL NIGHT STAR  
BLACK



PEARL PRECIOUS WHITE WITH  
SALEN SILVER METALLIC



REBEL RED METALLIC

• The technical specifications and design of the vehicle may vary according to the requirements and conditions without any notice • \*Distance to empty, real time and average mileage readings may vary as per the variant and riding conditions • Activa 125 meets Bharat Stage VI norms • Product shown in the picture may vary from the actual product available in the market • Accessories shown in the picture are not part of the standard equipment

• The technical specifications mentioned are for the H-Smart variant • \*All features and colours may not be part of all variants • \*\*Conditions apply